

CABLE 158 RF: HIROSE H.FL + FRONT MOUNT RP TNC BULKHEAD WITH O-RING RATED TO IP67/68 + MULTIPLE CABLE SIZES

SPECIFICATIONS :

1. HIROSE H.FL PLUG : H.FL-LP
2. COAXIAL CABLE, SEE CABLE SIZE OPTIONS.
3. FRONT MOUNT RP TNC BULKHEAD JACK WITH O-RING RATED TO IP67/68, P/N: RFCT-TNC003-F78.

**USAGE PRECAUTIONS: CABLES USING 'MICRO' COAX ARE DELICATE:**

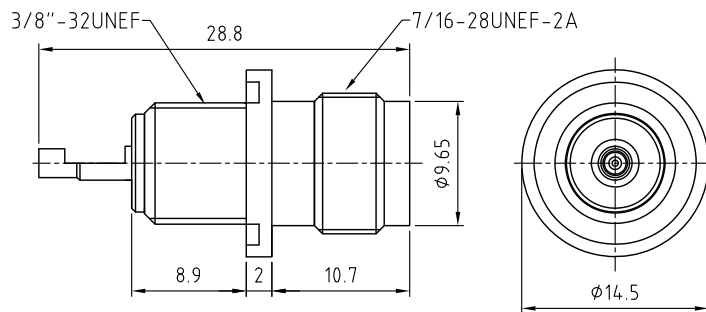
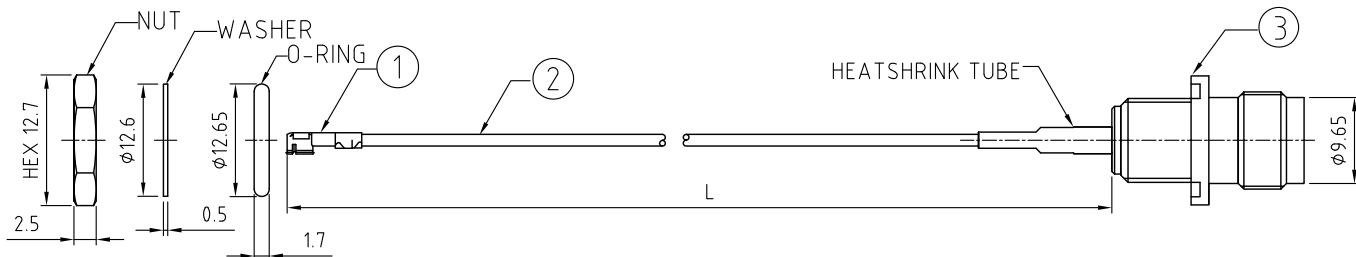
- (i) HANDLE WITH CARE.
- (ii) DO NOT TWIST; APPLY EXCESSIVE FORCES OR SHARP BENDS TO THE CABLE. DO NOT FORCEFULLY DEFORM WIRES.
- (iii) CONSULT CONNECTOR MANUFACTURER'S DATASHEETS FOR DETAILED NOTES ON HANDLING INSTRUCTIONS.

ENVIRONMENTAL:

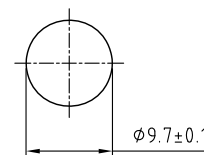
- A. BULKHEAD MOUNTED CONNECTOR (RFCT-TNC003-F78) RATED TO THE FOLLOWING SPECIFICATION:
- i. IP6X - DUST TIGHT - NO PARTICLE INGRESS.
  - ii. IPX7 WATERPROOF FOR 30 MINUTES UP TO 1 METER UNDERWATER.
  - iii. IPX8 WATERPROOF FOR 48 HOURS AT 1 METER UNDERWATER.

NOTES:

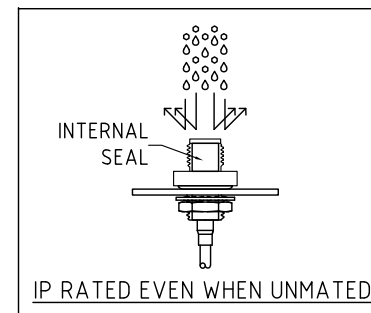
1. WORKING FREQUENCY RANGE: DC-3GHz
2. IT IS INTENDED THAT MOUNTING OF THIS CONNECTOR IS ACHIEVED USING THE NUT AND WASHER PROVIDED. PLEASE CONTACT GRADCONN FOR ADVISE IF PLANNING TO USE A DIFFERENT METHOD OF MOUNTING.



RP TNC DETAIL DRAWING



RECOMMENDED TNC MOUNTING HOLE



HOW TO ORDER  
CABLE 158 RF - X X X - X - X

"L" LENGTH IN MM:  
eg: 100MM = 100  
(MIN. 025-MAX.400)  
STANDARD = 100, 150, 200  
Tolerance: <math>\pm 5\text{mm}</math>  
51-200mm:  $\pm 5\text{mm}</math>  
201-400mm:  $\pm 7\text{mm}</math>$$

CABLE SIZE OPTIONS:  
BLANK =  $\phi 1.32\text{MM}$  DOUBLE BRAID CABLE, COLOR: GRAY  
1 =  $\phi 1.37\text{MM}$  CABLE, COLOR: BLACK (STANDARD)

O-RING, WASHER AND NUT OPTIONS:  
BLANK = SEPARATELY PACKED (STANDARD)  
A = ALL ASSEMBLED WITH CONNECTOR  
B = ONLY O-RING ASSEMBLED WITH CONNECTOR

REV. DATE & DRN
10 31/10/19 - NYW RELEASE
11 16/07/19 - NYW ADD 137MM CABLE OPTION
12 04/08/20 - NYW CHANGE TNC CONNECTOR REMOVE ORIENTATION OPTIONS
13 30/10/15 - RJH ADD 167/168 RATING INFO.
14 17/08/20 - NYW ADD NOTE 2.
15 25/02/24 - CC ADD IP RATING VIEW

Scale: NTS	THIRD ANGLE	Unstated .X .XX .XXX ANGLES	Tolerances: N/A N/A N/A N/A
Drawn: CC			
App'd: XXX	Title CABLE ASSEMBLY		
Date: 25 FEB. '24	Revision: 1.5	Unit: mm	

IP Rated RF Products

www.gradconn.com

Type: Cable 158 RF
CABLE 158 RF
Drawing Number:
Sheet 1 of 1
Drawing © E and O E